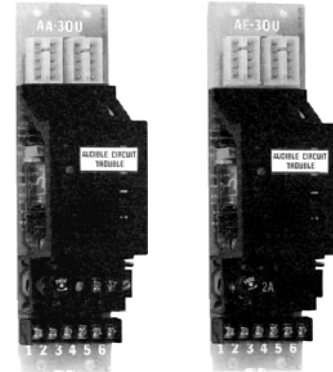


System 3™

Audible Alarm Extender Modules
Models AA-30U, AE-30U

ARCHITECT AND ENGINEER SPECIFICATIONS

- 'Style Y' or 'Style Z' circuit operation
- Light-emitting diode (LED) *Trouble* indicator
- Placement supervised
- AC or DC audibles
- ©UL 864 9th Edition Listed & ©ULC Listed;
CSFM and New York City Fire Department Approved



Product Overviews

Model AA-30U

The Alarm Extender Module (Model AA-30U) from Siemens – Fire Safety is designed for use with the System 3 fire-alarm control panel (FACP), and meets the requirements of NFPA 72 'Class A' ('Style Z').

Model AA-30U provides a (4) four-wire circuit for operating polarized, parallel-connected 24 VDC, nominal, notification appliance circuits (NACs). The circuit capacity is typically 20 vibrating DC bells – 10 DC horns or strobes. Additional bells, horns or strobes can be added – depending on the current requirements of the connected devices – based upon the condition that the total circuit load does not exceed 1.5 Amps.

Actuation of the module is caused by a high-pitch input signal from a system control module. Dual-input activation terminals are provided for programming or sequencing its operation.

Model AA-30U contains a yellow *Trouble* LED indicator on the face of the module, indicating an open or shorted loop condition. The *Trouble* LED indicator is operative at all times except when the system is in *Alarm* mode.

Model AA-30U is placement supervised, providing a system *Trouble* signal upon removal from the system. Primary power for the *Alarm* circuit is fused within the module. The fused circuit requires an end-of-line (EOL) resistor rated 5.6 Ohms @ 0.5 Watts.

Model AE-30

The Alarm Extender Module (Model AE-30U) from Siemens – Fire Safety is designed for use with the System 3 FACP, and meets the requirements of NFPA 72 'Class A' ('Style Z').

Model AA-30U provides a (4) four-wire circuit for operating polarized, parallel-connected 24 VDC, nominal, or 120 VAC NACs. The circuit capacity varies, depending on the device type and rating. The total circuit load must not exceed 1.5 Amps.

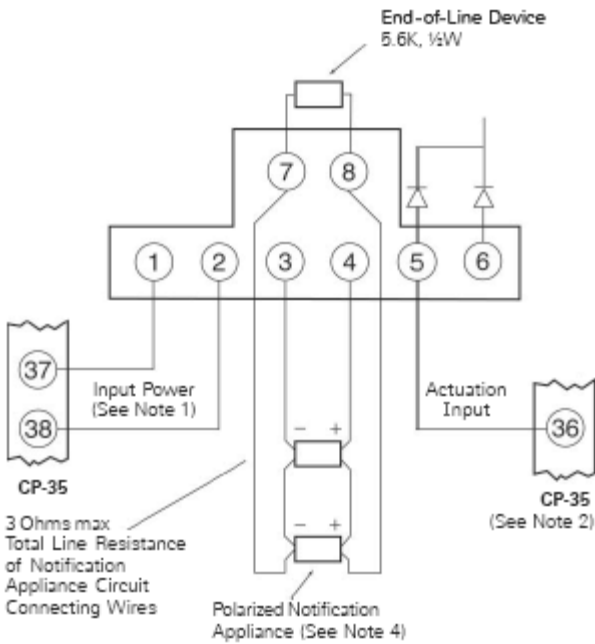
Actuation of the module is caused by a high-pitch input signal from a system control module. Dual-input activation terminals are provided for programming or sequencing its operation.

Model AE-30U contains a yellow *Trouble* LED indicator on the face of the module, indicating an open or shorted loop condition. The *Trouble* LED indicator is operative at all times except when the system is in *Alarm* mode.

Model AA-30U is placement supervised, providing a system *Trouble* signal upon removal from the system. The (2) two-wire circuit on which Model AE-30U is fused requires an EOL resistor rated at 0.5 Watts for DC devices and 5.0 Watts for AC devices.

Wiring Diagrams

Model AA-30U



Style Z (Class A) Connected Polarized Notification Appliances
[Polarity Shown in Supervisory Condition:]
SUPV: 24VDC, 5mA
Alarm: 24VDC or 120VAC, 1.5 Max

- When Style Z (Class A) type notification appliance circuit configuration is used, 24VDC notification appliances are required. Use EOL device Model EL31 and DC program plug Model JP-D in P2.
- Notification appliance circuits may be activated from the silenceable system alarm output signal, terminal 36 of CP-35, or from the non-silenceable system alarm output signal, terminal 42 of CP-35. When other alarm signals such as coding or time delay/limit are required, see individual module connection diagrams.
- Refer to the BI-35 Installation Instructions, P/N 315-086257, for detailed wiring information when using AA-30U in conjunction with the BI-35 module.
- Use only the compatible polarized notification appliances. See Fire Safety P/N 315-096363.
- To use power limited wiring to NFPA 70, NEC Article 760, the notification appliance circuits (terminals 3, 4, 7, and 8) must use the PLM-35 module. Refer to Instructions P/N 315-093496.

Electrical Ratings

System Input Power	
AA-30U	6.5mA
AE-30U	6.5mA

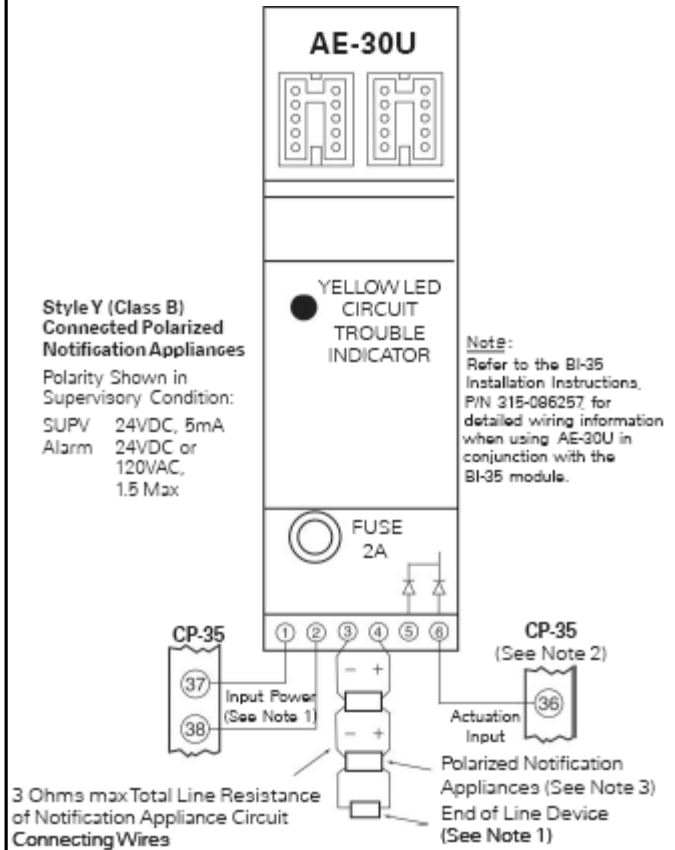
Temperature and Humidity Range

Models AA-30U, AE-30U are ©UL 864 9th Edition Listed for indoor dry locations within a temperature range of 120+/-3°F (49+/-2°C) to 32+/-3°F (0+/-2°C) and at a relative humidity of 93+/-2% a temperature of 90+/-3°F (32+/-2°C).

SIEMENS Industry, Inc.
Building Technologies Division

Fire Safety
8 Fernwood Road
Florham Park, NJ 07932
Tel: (973) 593-2600
FAX: (908) 547-6877
URL: www.SBT.Siemens.com/FIS

Model AE-30U



- When emergency power is provided using charger/transfer module, Model BC-35, 24VDC notification appliances must be used with EOL device, Model EL31. When BC-35 is not used, 120VAC notification appliances may be employed by use of AC program plug, Model JP-A, in P2 of CP-35 and Model EL32 EOL device, or by use of 24VDC notification appliances with DC program plug, Model JP-D, in P2 and Model EL31 EOL device.
- Notification appliance circuits may be activated from the silenceable system alarm output signal, terminal 36 of CP-35, or from the non-silenceable system alarm output signal, terminal 42 of CP-35. When other alarm signals such as coding or time delay/limit are required, see individual module connection diagrams.
- Use only compatible polarized notification appliances. See Fire Safety P/N 315-096363.
- To use power limited wiring to NFPA 70, NEC Article 760, the notification appliance circuits (terminals 3 and 4) must use the PLM-35 module. Refer to instructions P/N 315-093496.

Details for Ordering

Model Number	Part Number	Description	Shipping Weight	
AA-30U	500-884310	'Class A' Alarm Extender Module, (1) space	1 Lb.	0.45 Kg.
AE-30U	500-884320	Alarm Extender Module, (1) space	1 Lb.	0.45 Kg.

Notice: This marketing data sheet is not intended to be used for system design or installation purposes. For the most up-to-date information, refer to each product's installation instructions.

(SI-FS)
Printed in U.S.A.

Fire Safety
2 Kenview Boulevard
Brampton, Ontario
L6T 5E4 / Canada
Tel: (905) 799-9937
FAX: (905) 799-9858

December 2011
Supersedes sheet dated 8/05
(Rev. 1)